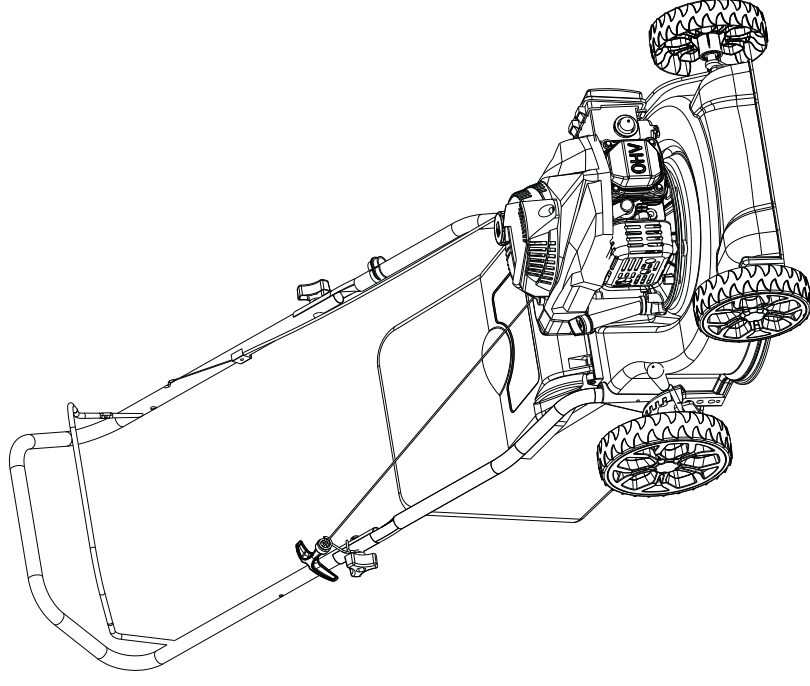


Hand Push Lawnmower 99 cc



FPLMP99-3

EAN: 3663602939498

Original Instructions - FPLMP99-3_GB_V04_20161117

Manufacturer:
Kingfisher International Products Limited
3 Sheldon Square
London
W2 6PX
United Kingdom

EN

Distributor: **B&Q plc**
Chandlers Ford, Hants,
SO53 3LE United Kingdom
www.diy.com

SFD Limited
Trade House, Mead Avenue
Yeovil
BA22 8RT, UK



WARNING: Read the instructions before using the product!

Let's get started...

These instructions are for your safety. Please read through them thoroughly before use and retain them for future reference.



Getting Started...

Safety information	02
Your product	03
Before you start	14
Quick start	18
	23



In more detail...

Product functions	25
Operation	26
Care and maintenance	28
Trouble shooting	33
Recycling and disposal	42
Guarantee	44
EC Declaration of conformity	44
	45

Safety warnings

Petrol powered lawnmowers safety warnings



IMPORTANT

Read carefully before use.
Keep for future reference.

Training

1. Read the instructions carefully. Be familiar with the controls and the proper use of the product.
2. Never allow children or people unfamiliar with these instructions to use the product. Local regulations can restrict the age of the operator.
3. Never mow while people, especially children, or pets are nearby.
4. Keep in mind that the operator or user is responsible for accidents or hazards occurring to other people or their property.
5. The operators must receive proper training in the use, adjustment and operation of the product, including prohibited operations.

Preparation

1. While mowing, always wear substantial footwear and long trousers. Do not operate the product when barefoot or wearing open sandals.
2. Thoroughly inspect the area where the product is to be used and remove all objects, such as stones, toys, sticks and wires, which can be thrown by the product.
3. **WARNING** - Petrol is highly flammable.

Safety information

FPLMP99-3

- Store fuel in containers specifically designed for this purpose.
 - Refuel outdoors only and do not smoke while refuelling.
 - Add fuel before starting the engine. Never remove the cap of the fuel tank or add petrol while the engine is running or when the engine is hot.
 - If petrol is spilled, do not attempt to start the engine but move the product away from the area of spillage and avoid creating any source of ignition until petrol vapours have dissipated.
 - Replace all fuel tank and container caps securely.
4. Replace faulty silencers.
 5. Before using, always visually inspect to see that the cutting devices, cutting device bolts and cutter assembly are not worn or damaged. Replace worn or damaged cutting devices and bolts in sets to preserve balance.
 6. **CAUTION!** Do not touch rotating cutting device.
 7. Engine brake (brake bar (2)): Use the brake bar (2) to stop the engine. When you release the bar the engine and the blade stop automatically in a few seconds. To mow, hold the bar in the working position. Before you start to mow, check the brake bar (2) several times to be sure that it is working properly. Ensure that the brake wire (6) can be smoothly operated (e. g. is not catching or kinking in any way).

Operation

1. Do not operate the engine in a confined space where dangerous carbon monoxide fumes can collect.
2. Mow only in daylight or in good artificial light.
3. Do not operate the product while being tired, ill or under influence of alcohol or other drugs.
4. Avoid operating the product in wet grass, where feasible.

FPLMP99-3

Safety information

5. Always be sure of your footing on slopes.
6. Walk, never run.
7. Mow across the face of slopes, never up and down.
8. Exercise extreme caution when changing direction on slopes.
9. Do not mow excessively steep slopes near drop-offs, ditches or embankments.
10. Avoid using the product in bad weather conditions especially when there is a risk of lightning.
11. Use extreme caution when reversing or pulling the product towards you.
12. Stop the cutting device(s) if the product has to be tilted for transportation when crossing surfaces other than grass, and when transporting the product to and from the area to be mowed.
13. Never operate the product with defective guards, or without safety devices, for example deflectors and / or grass catchers, in place.
14. Do not change the engine governor settings or overspeed the engine.
15. Do not alter or tamper with any sealed adjustments for the engine speed control.
16. Do not tamper or disable any lawnmower safety systems or features.
17. Ensure and regularly check that all starting interlocks and operator presence controls are properly functioning.
18. Stop the product according to instructions in this manual before leaving the operator's position and park it.
19. Disengage all cutting device and drive clutches before starting the engine.
20. Start the engine or switch on the engine carefully according to instructions and with feet well away from the cutting device(s).

21. Do not tilt the product when starting the engine or switching on the engine, except if the product has to be tilted for starting. In this case, do not tilt it more than absolutely necessary and lift only the part which is away from the operator.
22. Do not start the engine when standing in front of the discharge chute.
23. Do not put hands or feet near or under rotating parts. Keep clear of the discharge opening at all times.
24. Never pick up or carry a product while the engine is running.
25. Stop the engine and disconnect the spark plug connector, make sure that all moving parts have come to a complete stop and, where a key is fitted remove the key:
- before clearing blockages or unclogging chute,
 - before checking, cleaning or working on the product,
 - after striking a foreign object. Inspect the product for damage and make repairs before restarting and operating the product,
 - if the product starts to vibrate abnormally (check immediately).
26. Stop the engine and disconnect the spark plug connector, make sure that all moving parts have come to a complete stop and, where a key is fitted remove the key:
- whenever you leave the product,
 - before refuelling.
27. Never touch the exhaust, exhaust guard or cooling fins when the engine is hot.
28. Never carelessly touch the product, you can burn yourself. While the product is in operation or shortly thereafter, its parts such as the exhaust pipe, engine, and other surfaces are extremely hot! Pay attention to the markings on the product.

29. Make sure that the air intake of the combustion engine is clear. Keep the air intake free of dust, dirt particles, gases and fumes. Keep hands and feet away from the cutting device at all times and especially when switching on the engine.

Maintenance and storage

1. Keep all nuts, bolts and screws tight to be sure the product is in safe working condition.
2. Never store the product with petrol in the tank inside a building where fumes can reach an open flame or spark.
3. Allow the engine to cool before storing in any enclosure. Clean and maintain the product before storage.
4. To reduce the fire hazard, keep the engine, silencer and petrol storage area free of vegetative material and excessive grease.
5. Check the grass catcher frequently for wear or deterioration.
6. Replace worn or damaged parts for safety.
7. If the fuel tank has to be drained, this should be done outdoors.
8. Follow the maintenance and repair instructions for this product. Never carry out any modifications of the product. Never change the pre-set rotary speed or the engine and product settings. Information about maintenance and repair is provided in this user manual.
9. Always replace worn or faulty parts with the genuine parts. Only use the recommended blades and spare parts by the manufacturer.
10. Improper maintenance, using non genuine parts, or removing / modifying safety components may lead to malfunction / failure of the product and injury of operators. Many accidents are caused by poorly maintained products.

Safety information

FPLMP99-3

Fuel handling

1. Always switch the product off, disconnect the spark plug connector and let the product cool down before refuelling it. Fuel and fuel vapour are highly flammable. Take care when handling fuel. Never smoke when you are refuelling the product. Do not refuel the product, if there is an open fire in the vicinity!
2. Always use suitable aids such as funnels and filler necks. Do not spill any fuel on the product or its exhaust system. There is a risk of ignition. Remove spilled fuel carefully from all parts of the product. Any residue which may be present must have completely volatilised, before the product is put into operation!
3. Never refuel indoors.
4. Never use the product in environments where there is a risk of explosion. Exhaust gases and fuel fumes are noxious. Fuel fumes can ignite.
5. Never breathe in any fuel fumes, when you are refuelling the product. Never fill the tank in enclosed spaces, such as basements or sheds. There is a risk of poisoning and explosion!
6. Avoid skin contact with petrol.
7. Do not eat or drink, while you are refuelling the product. If you have swallowed petrol or oil, or if petrol or oil has got into your eyes, then seek the advice of a doctor immediately.
8. Close the tank lid immediately after filling the tank. Make sure that it is properly closed.
9. Never use the product without an air filter.
10. Fuel vapour pressure may build up inside the fuel tank depending on the fuel used, weather conditions and the tank venting system. To reduce the risk of burns and other personal injuries, remove the fuel cap carefully to allow any pressure build up to release slowly.

FPLMP99-3

Safety information

11. Be aware of fire risks, explosion and inhalation risks.
12. Do not smoke while operating the product, handling fuel or near fuel.
13. Ensure the spark plug lead is secured; a loose lead may cause electrical arcing that could ignite combustible fumes and cause a fire or explosion.
14. Check regularly for leaks from the fuel cap and fuel lines.
15. Use caution when handling fuel. To avoid any accidental fires, move the product at least 3 metres (10') from the fuelling point before starting the engine.
16. Tighten the fuel cap thoroughly after refilling the fuel tank.
17. Do not operate the product if it is leaking fuel. Do not remove the fuel tank cap while the engine is running.
18. Use only an approved container.
19. Do not store cans of fuel or refill the fuel tank in any place where there is a boiler, stove, wood fire, electrical sparks, welding sparks, or other sources of heat or fire which might ignite the fuel.
20. If any fuel spillage occurs during refuelling, use a dry rag to wipe up spills and allow remaining fuel to evaporate before turning the engine on again.
21. If you have spilt fuel on yourself or on your clothes, change your clothes and wash any part of your body that has come in contact with fuel before turning the engine on again.
22. If fuel is ignited, put out the fire with a dry powder fire extinguisher.
23. If the fuel tank is drained, this should be done outdoors.

Vibration and noise reduction

To reduce the impact of noise and vibration emission, limit the time of operation, use low-vibration and low-noise operating modes as well as wear personal protective equipment.

Take the following points into account to minimise the vibration and noise exposure risks:

1. Only use the product as intended by its design and these instructions.
2. Ensure that the product is in good condition and well maintained.
3. Use correct attachments for the product and ensure they are in good condition.
4. Keep tight grip on the handles / grip surface.
5. Maintain this product in accordance with these instructions and keep it well lubricated (where appropriate).
6. Plan your work schedule to spread any high vibration tool use across a longer period of time.

Emergency

Familiarise yourself with the use of this product by means of this instruction manual. Memorise the safety directions and follow them to the letter. This will help to prevent risks and hazards.

1. **Always be alert when using this product, so that you can recognise and handle risks early.** Fast intervention can prevent serious injury and damage to property.
2. **Switch off and disconnect from the power supply if there are malfunctions.** Have the product checked by a qualified professional and repaired, if necessary, before you operate it again.
3. **In case of fire stop the engine and disconnect the spark plug connector.** Take fire-extinguishing measures immediately if the product switch is no longer accessible.



WARNING! Never use water to extinguish a product on fire. Burning fuel must be extinguished with special extinguishing agents! We recommend that you keep a suitable fire extinguisher within reach in your work area!

Residual risks

Even if you are operating this product in accordance with all the safety requirements, potential risks of injury and damage remain. The following dangers can arise in connection with the structure and design of this product:

1. Health defects resulting from vibration emission if the product is being used over long periods of time or not adequately managed and properly maintained.
2. Injuries and damage to property due to broken cutting attachments or the sudden impact of hidden objects during use.
3. Danger of injury and property damage caused by flying objects.
4. Burns, if touching hot surfaces.



WARNING! This product produces an electromagnetic field during operation! This field may under some circumstances interfere with active or passive medical implants! To reduce the risk of serious or fatal injury, we recommend persons with medical implants to consult their doctor and the medical implant manufacturer before operating this product!

Safety information

FPLMP99-3


Symbols

On the product, the rating label and within these instructions you will find among others the following symbols and abbreviations. Familiarise yourself with them to reduce hazards like personal injuries and damage to property.


kW	Kilowatt	ml	Millilitre
cm ³	Cubic centimetre	g/kWh	Gram per kilowatt; per hour
/min or min ⁻¹	Per minute	kg/h	Kilogram per hour
mm	Millimetre	dB(A)	Decibel (A-rated)
cm	Centimetre	m/s ²	Metre per second squared
kg	Kilogram	mm.yyyy	Manufacturing date code, year of manufacturing (yyyy)
l	Litre		and month of manufacturing (mm)
°C	Degree Celsius		


 Lock / to tighten or secure.

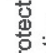
 Unlock / to loosen.


 Note / Remark.

 Caution / Warning.


 Read the instruction manual.

 Wear hearing protection.


 Wear eye protection.

 Wear a dust mask.

 Wear protective gloves.

 Wear protective, slip-resistant footwear.

 Wear tight-fitted protective clothes.


 Do not expose the product to rain or wet conditions.

 Open flames in the work area, around the product and in the vicinity of flammable materials are prohibited!

 Do not smoke in the work area, around the product and in the vicinity of flammable materials!

 Risk of fire / flammable materials.

 Hot surface, do not touch! High temperatures on the product's surfaces and structural parts that could cause burns, if they are touched. The product can also stay hot for a longer period of time after operation!

 This product produces noxious exhaust fumes. If the product is used improperly, these fumes can lead to poisoning, a loss of consciousness or death!

 Noxious exhaust fumes; do not operate or start the product in indoor rooms!

FPLMP99-3

Safety information



Only refuel unleaded petrol!



Check and refill oil.



Add engine oil.



Switch the engine off while you are refilling the tanks! Fuel is flammable, keep fire away. Do not add fuel with running engine.



Switch the product off and disconnect the spark plug connector before assembly, cleaning, adjustments, maintenance, storage and transportation.



Mow across the face of slopes, never up and down.



Inspect the area where the product is to be used and remove all objects which can be thrown by the product.



If objects are hidden while operating stop the engine and remove the object. Keep hands and feet away from sharp rotating parts – danger of injury! When cleaning, repairing, or inspecting, make certain the cutting device and all mowing parts have stopped. Disconnect the spark plug cap, and keep the cap away from the plug to prevent accidental starting.



Keep hands and feet away.



Cutting device continues to rotate after the product is switched off. Wait until all machine components have completely stopped before touching the product.



Pay special attention when working on the cutting device!

Objects thrown by the product could hit the user or other bystanders. Always ensure that other people and pets remain at a safe distance from the product when it is in operation. In general, children must not come near the area where the product is.



Release the brake bar to stop the engine and blade.



Engine manual start; recoil starter.



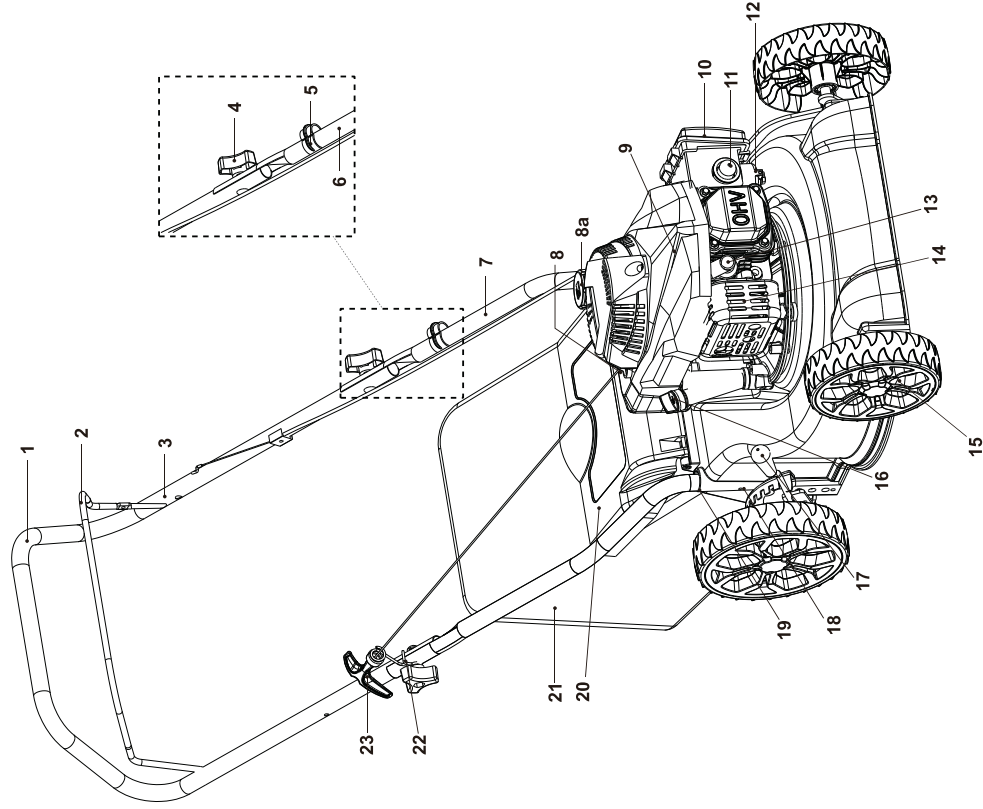
Guaranteed sound power level value in dB.



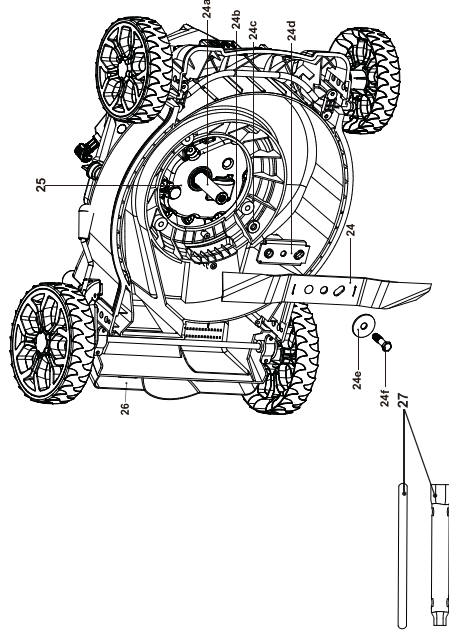
The product complies with the applicable European directives and an evaluation method of conformity for these directives was done.

FPLMP99-3 Designation of the tool (FP_OPP brand; LM_Petrol lawn mower).

Your product



1. Handle
2. Brake bar
3. Upper handle bar
4. Mounting set (x 2)
 - a. Knob *
 - b. Bolt * (45 mm)
5. Wire clip
6. Brake wire
7. Lower handle bar (left & right)
8. Fuel tank
 - a. Cap
9. Air vents
10. Air filter case
 - a. Filter *
 - b. Cover *
 - c. Latch *
11. Primer
12. Fuel drain screw
13. Spark plug connector
 - a. Spark plug *
14. Muffler
15. Wheel



16. Oil tank cap
17. Lever for cutting height adjustment
18. Handle support (left & right)
 - a. Screw * (x 2)
19. Support * (x 2)
20. Rear deflector guard
 - a. Handle *
21. Grass catcher
 - a. Hook * (x 2)
 - b. Handle *
22. Rope guide
23. Recoil starter handle
24. Cutting device (blade)
 - a. Spindle
 - b. Pin
 - c. Washer
 - d. Support
 - d. Locking flange
 - f. Hex bolt
25. Oil drain screw
26. Rear discharge chute
27. Multi tool



NOTE: Parts marked with * are not shown in this overview. Please refer to the respective section in the instruction manual.

Technical specifications

General	
> Dimensions:	approx. 700 x 530 x 430 mm
> Machine mass with empty tanks and in normal operating configuration	approx. 18.5 kg
> Fuel tank capacity	1000 ml (cm ³)
> Petrol type	#93, unleaded
> Engine oil capacity	400 ml (cm ³)
> Engine oil type	4-stroke engine oil (e. g. SAE10W-30)
> Specific fuel consumption at max. engine power	395 g/kWh
> Fuel consumption at max. engine power	0.6 kg/h
> Cutting device	thickness 2.5 mm
> Cutting width	40 cm
> Cutting height	25/35/40/50/60/70/75 mm
> Grass catcher volume	45 l
Engine	
> Engine model	GP99
> Engine type	air cooled, 4-stroke engine
> Engine displacement	99 cm ³
> Rated engine speed	2900 min ⁻¹
> Maximum operating engine speed (rotational frequency)	2900 min ⁻¹
> Nominal power	1.2 kW
> Spark plug type	F7RTC
> Spark plug gap	0.7-0.8 mm
> Carburettor	1P56F
Sound level	
> Sound pressure level at operator's position L _{pa}	81.6 dB(A)
> Uncertainty K _{pa}	2.5 dB(A)
> Sound power level L _{wa}	93.16 dB(A)
> Uncertainty K _{wa}	2.45 dB(A)
> Guaranteed sound power level L _{wa} (acc. to 2000/14/EC amended by 2005/88/EC)	96 dB(A)

Vibration level

- > Hand arm vibration a_{h,w} 6.054 m/s²
- > Uncertainty K 1.5 m/s²

The sound values have been determined according to noise test code given in EN ISO 5395-1 and EN ISO 5395-2, using the basic standards ISO 3744. Wear hearing protection, especially when sound pressure is over 80 dB(A). The declared vibration value has been measured in accordance with a standard test method (according to EN ISO 5395-1 and EN ISO 5395-2) and may be used for comparing one product with another. The declared vibration value may also be used to evaluate the exposure for the user caused by vibration in advance.



WARNING! Depending on the actual use of the product the vibration values can differ from the declared total. Adopt proper measures to protect yourself against vibration exposures. Take the whole work process including times the product is running under no load or switched off into consideration! Proper measures include among others regular maintenance and care of the product and accessories, keeping hands warm, periodical breaks and proper planning of work processes!

Before you start

FPLMP99-3

Unpacking



NOTE: The product is heavy, ask another person for assistance if required.

1. Unpack all parts and lay them on a flat, stable surface.
2. Remove all packing materials and shipping devices, if applicable.
3. Make sure the delivery contents are complete and free of any damage. If you find that parts are missing or show damage do not use the product but contact your dealer. Using an incomplete or damaged product represents a hazard to people and property.
4. Ensure that you have all the accessories and tools needed for assembly and operation. This also includes suitable personal protective equipment.



WARNING! The product and the packaging are not children's toys! Children must not play with plastic bags, sheets and small parts! There is a danger of choking and suffocation!

You will need

- | | |
|--|-----------------------------------|
| (items not supplied) | (items supplied) |
| > Suitable personal protective equipment | > Multi tool (27) |
| > Suitable engine oil (SAE10W-30) | > Fuel funnel with filler |
| > Fuel collecting container | > Suitable fuel (unleaded petrol) |
| > Oil collecting container | > Fuel collecting container |
| > Lubrication oil / grease | > Air filter oil |
| > Air filter oil | > Suitable wrench |

FPLMP99-3

Before you start

Assembly



WARNING! The product must be fully assembled before operation!

Do not use a product that is only partly assembled or assembled with damaged parts!

Follow the assembly instructions step-by-step and use the pictures provided as a visual guide to easily assemble the product!

Disconnect the spark plug connector (13) from the spark plug! Reconnect it after assembly.



NOTE: Take care of small parts that are removed during assembly or when making adjustments. Keep them secure to avoid loss.

Handle bars

1. Insert the lower handle bars (7) into the handle supports (18). Ensure the mounting holes in the lower handle bars (7) are aligned with the ones in the supports (18) (Fig. 1, step 1).
2. Secure the lower handle bars (7) with the screws (18a) and washers (18b) while using a proper cross-head screwdriver (Fig. 1, step 2).

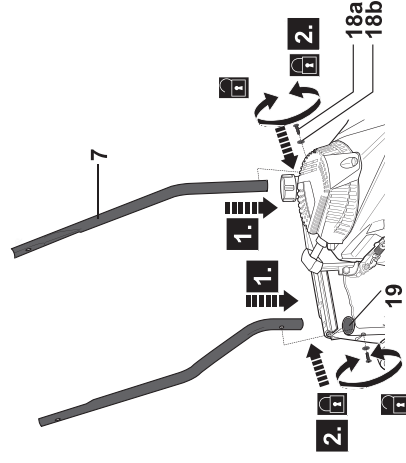


Fig. 1

Before you start



NOTE: Ensure the rope guide (22) is assembled on the right hand side of the upper handle bar (3).

3. Make sure the wire (6) runs on the upper side of the handle bars (3, 7).
4. Align the mounting holes of the upper handle bar (3) with the ones on the lower handle bars (7) (Fig. 2, step 1).
5. Ensure that the rope guide (22) is properly aligned and secure the connection with the knobs (4a) and bolts (4b) (Fig. 2, step 2).

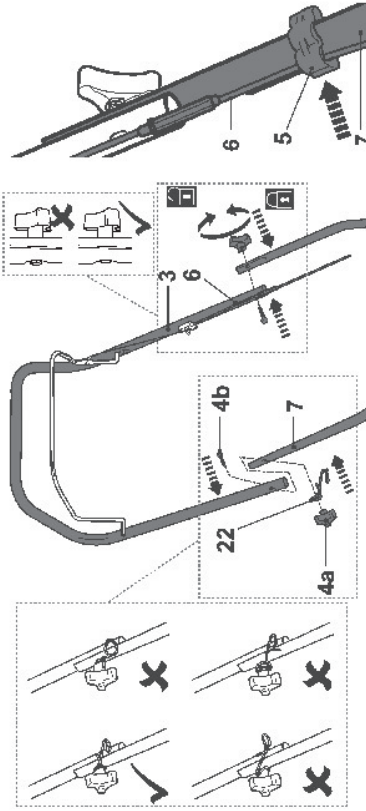


Fig. 2

Fig. 3

6. Fix the wire (6) with the wire clip (5) to the lower handle bar (7) (Fig. 3).

Grass catcher

Always carry the grass catcher (21) by its handle (21b).

1. Open the rear deflector guard (20) and hold it in position.
2. Align the hooks (21a) of the grass catcher (21) with the supports (19) to hang it onto it (Fig. 4).
3. Carefully release the rear deflector guard afterwards (20).

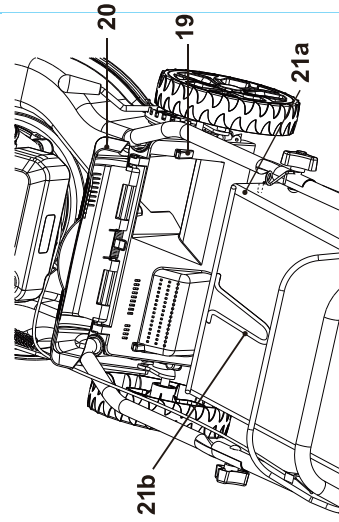


Fig. 4

Before you start

Fuel and engine oil

This product is equipped with a 4-stroke engine. Before operation it is necessary to add proper fuel and engine oil separately.

1. Place the product on a stable, level surface. We recommend laying a non-flammable sheet under the product.
2. Use proper funnels. Avoid spilling and overfilling the tanks.



WARNING! Fuel and oil are highly inflammable! Fumes will explode if lit! Ensure that there are no naked flames around the product! Do not smoke while filling fuel and oil!

3. Always dispose of fuel, used oil and objects contaminated with them in accordance with local regulations.

Fuel



NOTE: This product is not supplied with fuel! Before operating this product it is essential to fill it with fuel! Fill fuel and engine oil separately. Never mix oil with petrol!

1. Always use clean, fresh unleaded petrol. Purchase fuel in quantities that can be used within 30 days.
2. Never mix oil with petrol. Avoid getting dirt, dust or water in the fuel tank.
3. Unscrew and remove the fuel tank cap (8a) (Fig. 5).
4. Do not overfill. Add fuel until the fuel level remains a minimum 5 mm of space between top of the fuel and the inside edge of the tank to allow for expansion (Fig. 6).

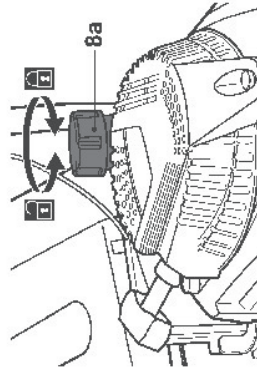


Fig. 5

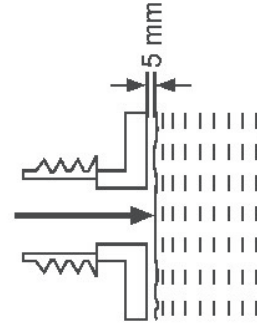


Fig. 6



NOTE: Petrol deteriorates over time. It may be difficult to start the engine if you use petrol which has been kept for more than 30 days. Towards the end of season, it is advisable to put only as much fuel in the tank as you need for each use, since it should be completely used up before storing the product.

Always empty the fuel tank when storing the product for over 30 days.

- Wipe any spilled fuel with a soft cloth and reattach the fuel tank cap (8a).

Engine oil



WARNING! This product is not supplied with oil. However, for manufacturing reasons it is possible that a small quantity may be in the engine! Before operating this product it is essential to fill it with proper oil (4-stroke engine oil, e. g. SAE 10W-30)!

Engine oil has a major influence on engine performance and service life. Non-detergent or 2-cycle engine oils will damage the engine and should not be used.

- Unscrew and remove the oil tank cap (16).
- Gradually add good-quality engine oil (SAE 10W-30). Allow the oil to settle.
- Check the oil level frequently while filling. Wipe the oil dipstick clean, insert into the oil fill hole without tightening it until the cap rests on the oil tank and then remove the oil dipstick again. The oil level must be between the "max" and "min" markings. Add more oil if necessary. Do not overfill (Fig. 7).

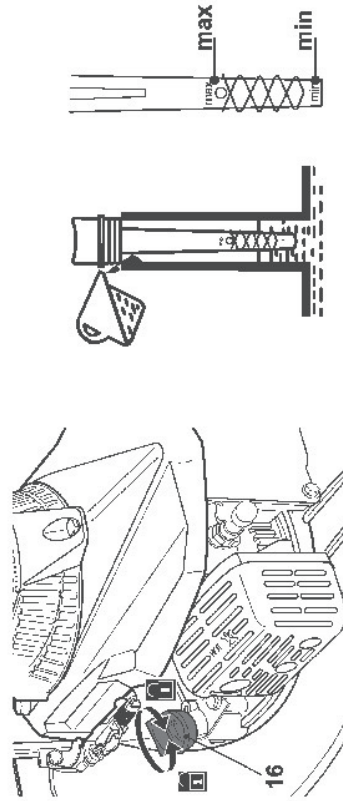
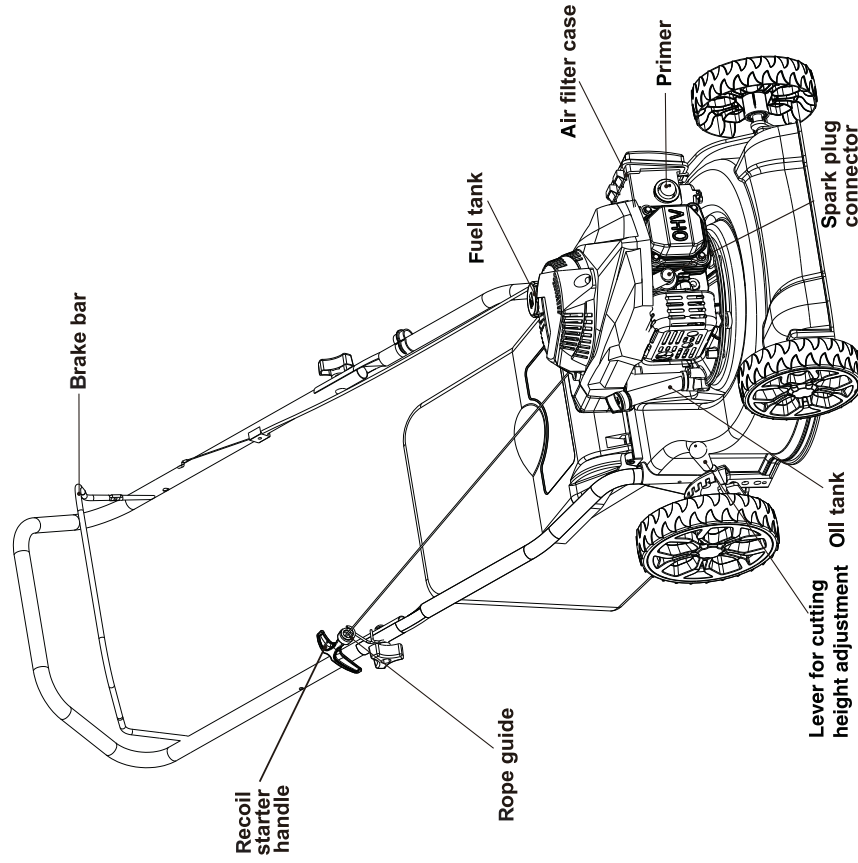


Fig. 7

- After adding oil, wait one minute and then recheck the oil level.
- Wipe spilled oil with a soft cloth and reattach the oil tank cap (16).

Operating controls



Set up



Assembly



Adjust



Add fuel



Add oil

Start



Press primer three times



Pull brake bar



Pull recoil starter until engine starts



Operate

Stopping



Release brake bar

Storage



Empty fuel tank



Empty oil



Clean and maintain



Store



WARNING! This quick start provides only a short overview of how to start and stop the product! For safe use it is essential to read the entire instruction manual before first use!

In more detail...



Product functions 26

Operation 28

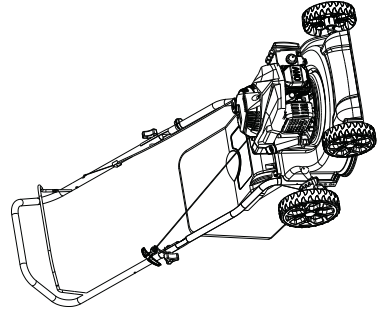
Care and maintenance 33

Trouble shooting 42

Recycling and disposal 44

Guarantee 44

EC declaration of conformity 45



Intended use

This petrol lawnmower FPLMP99-3 is designated with a power output of 1.2 kW.

1. The product is intended for mowing grass in domestic gardens only. It must not be used to mow unusually high dry or wet grass, e. g. pasture grass; for shredding leaves.
2. For safety reasons it is essential to read the entire instruction manual before first operation and to observe all the instructions therein.
3. This product is intended for private domestic use only, not for any commercial trade use. It must not be used for any purposes other than those described.

Brake bar

1. Pull the brake bar (2) towards the handle (1) and hold it in position when starting the engine. Keep it squeezed during operation (Fig. 8).
2. Release the brake bar (2) to stop the engine.

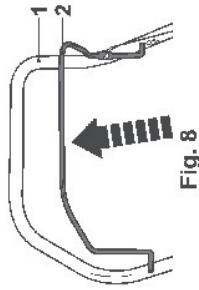


Fig. 8

Recoil starter

The recoil starter handle (23) is positioned at the rear of the engine.

1. Pull the brake bar (2) towards the handle (1).
2. Pull the recoil starter handle lightly until you feel resistance then pull it rapidly. Do it again until the engine starts (Fig. 9).
3. Fit the recoil starter handle into the rope guide (22) on the right hand side of the upper handle (3) during operation (Fig. 10). Do not remove the rope from the rope guide when starting the engine.

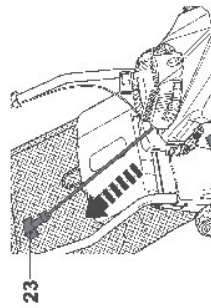


Fig. 9

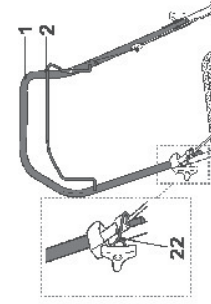


Fig. 10

WARNING! Never twist the starter cord around your hand! Only pull on the handle!

WARNING! Do not suddenly release the recoil starter handle! Allow the rope to return slowly and in a controlled manner each time it is pulled!

Grass catcher

WARNING! Always attach the grass catcher (21) when using this product! Always carry the grass catcher by its handle (21b).

Emptying

Empty the grass catcher (21) frequently during use. Do not wait until it is completely full. We recommend emptying it when it is half full.

NOTE: A full grass catcher will reduce the performance of this product.

1. Lift the deflector guard (20) and hold it in place.
2. Lift the hooks (21a) of grass catcher (21) off the rod.
3. Remove the grass clippings from the discharge chute (26) into the grass catcher (21). Use a proper tool such as a brush.

WARNING! Never use your hands or feet to remove grass clippings from the discharge chute (26)!

4. Remove the grass catcher (21).
5. Empty the grass clippings onto a compost heap.
6. Re-fit the hooks (21a) of the grass catcher onto the rod.
7. Carefully release the deflector guard (20) afterward.

WARNING! Do not attempt to use the product without the grass catcher (21) attached when collecting grass – danger of flying objects! Switch the engine off and wait that the blade had come to a complete stop before removing the grass catcher (21)!

Product functions

FPLMP99-3

Cutting height adjustment

Adjust the cutting height according to the needs of your lawn. The cutting height depends on the kind of lawn and its actual height. When mowing high grass, start with the maximum cutting height and make a second cut with lower cutting height. New or thick grass may require a higher cutting height and a narrower cutting path.

1. Pull the lever (17) towards the wheel (15), and then move it forward or backward to the desired cutting height.
2. Release the lever (17) and ensure it engages into place properly (Fig. 11).



Fig. 11



WARNING! Ensure that the lever engages between two of the prongs! Switch the engine off and wait that the blade had come to a complete stop before adjusting the cutting height!

Primer

The primer (11) is positioned at front of the air filter case (10). Use the primer when starting the product (Fig. 12).

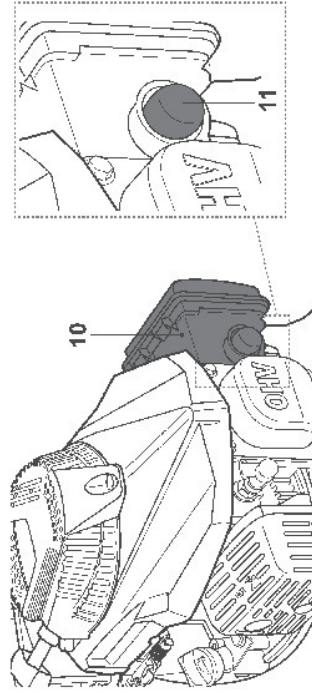


Fig. 12

FPLMP99-3

Operation

General operation

1. Check the product as well as accessories for damage before each use. Do not use the product if it is damaged or shows wear.
2. Double check that the accessories and attachments are properly fixed.
3. Check the fuel and oil level, refill if necessary.
4. Always push the product on its handle. Keep the handle dry and free from lubricant to ensure safe support.
5. Ensure that the air vents are always unobstructed and clear. Clean them if necessary with a soft brush. Blocked air vents may lead to overheating and damage the product.
6. Release the brake bar immediately if you are disturbed while working by other people entering the working area. Always let the product come to complete stop before averting.
7. Do not overwork yourself. Take regular breaks to ensure you can concentrate on the work and have full control over the product.

Starting / Stopping



WARNING! Before starting, put the product on a flat surface free of high grass! Clean the underside of the deck! Keep yourself ready! Start the engine carefully according to instructions. Keep your feet well away from the blade! Do not tilt the product when starting the engine.

Cold start / warm start

1. Press the primer (11) three times (Fig. 13, step 1).



NOTE: If you press the primer (11) too many times, excessive fuel will flood the carburettor and the engine will be difficult to start.

2. Stand behind the handle (1).
3. Pull the brake bar (2) against the handle (1) and hold it in position with one hand (Fig. 13, step 2).

4. Pull the recoil starter handle (23) lightly until you feel resistance then pull it rapidly. Do it again until the engine starts (Fig. 13, step 3). Fit the recoil starter handle into the rope guide (22) on the right hand side of the upper handle (3) during operation (Fig. 10).

i **NOTE:** If the engine does not start after several attempts, repeat above steps until the engine starts.

5. When you are ready to mow, hold the handle (1), keep the brake bar (2) squeezed and then push the product forward. The product begins mowing.

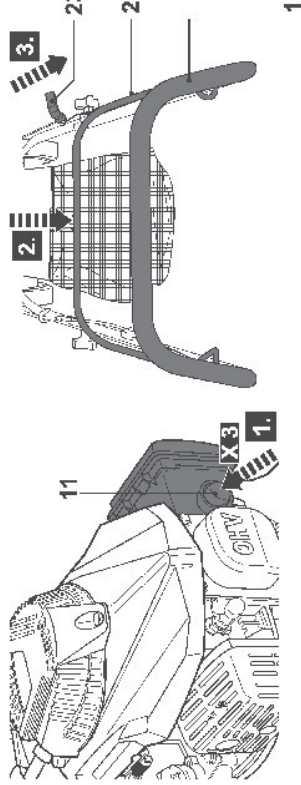


Fig. 13

! **WARNING!** The starting position should be as described in the instruction handbook. (Fig. A) is the defined starting position. User should start the engine behind the lever. **DO NOT** start the engine standing beside the deck as (Fig. B).

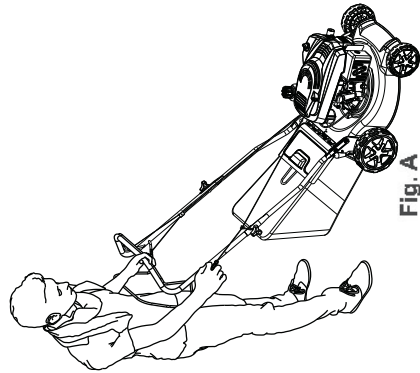


Fig. A

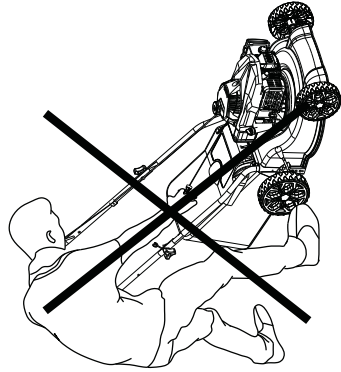


Fig. B

Starting / Stopping

i **NOTE:** If the engine does not start, the engine may be flooded. Flooding is caused by too much fuel mixture applied at the wrong time and can prevent a product from starting. Follow below procedure:

Remove the spark plug (13a) and dry the spark plug. Pull the recoil starter handle (23) for several times to drain the fuel from the combustion chamber. Wait until fuel vapours and refit the spark plug. Clean up any spilled fuel and move the product at least 3 metres (10') away before starting the engine to avoid any accidental fire. Wait the engine to cool down then start the product as described in section "Cold start / warm start".

Stopping

Release the brake bar (2) to switch off the engine and stop the blade (Fig. 14).

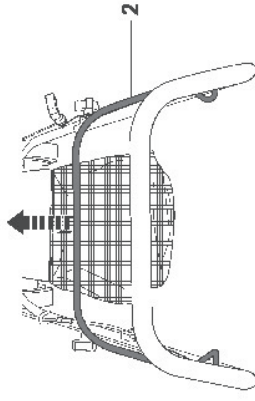


Fig. 14

Mowing

1. Make sure that the lawn is clear of stones, sticks, wire or other objects that could damage the product or its engine.
2. Do not cut wet grass because it tends to stick to the underbody of the product, preventing the proper discharge of grass clippings, and it could also cause you to slip and fall.
3. Never cut off more than one-third of the total length of the grass for a healthy lawn. In the autumn, lawns should only be cut as long as there is growth.
4. Slowly push the product forward. You may want to use the self-propelled function for assistance.
5. Mow in slight overlapping rows. The most effective pattern for mowing lawns is straight lines along one of the sides. This will keep the rows even and ensures that all the lawn is cut without missing any spots (Fig. 15).

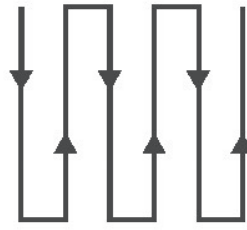


Fig. 15

Operation

FPLMP99-3

- Circle around flower beds. When reaching a flower bed in the middle of the lawn, cut a row or two around the circumference of the bed.
- Pay special attention when changing direction.
- Empty the grass catcher regularly.



WARNING! Extensive vibration of the product during operation is an indication of damage! Switch the engine off. The product should be promptly inspected and repaired!

After use

Switch the product off and wait until the product completely cools down. Check, clean and store the product as described below.

The golden rules for care



WARNING! Always switch the product off, disconnect the spark plug connector and let the product cool down before performing inspection, maintenance and cleaning work!

DO NOT touch a rotating blade.

- Keep the product clean. Remove debris from it after each use and before storage.
- Regular and proper cleaning will help ensure safe use and prolong the life of the product.
- Inspect the product before each use for worn and damaged parts. Do not operate it if you find broken and worn parts.



WARNING! Only perform repairs and maintenance work according to these instructions! All further works must be performed by a qualified specialist!

FPLMP99-3

Care and maintenance

General cleaning

- Clean the product with a dry cloth. Use a brush for areas that are hard to reach.
- In particular clean the air vents (9) after every use with a cloth and brush.
- Remove stubborn dirt with high pressure air (max. 3 bar).



NOTE: Do not use chemical, alkaline, abrasive or other aggressive detergents or disinfectants to clean this product as they might be harmful to its surfaces.

- Check for worn or damaged parts. Replace worn parts as necessary or contact an authorised service centre for repair before using the product again.

Maintenance

Before and after each use, check the product and accessories (or attachments) for wear and damage. If required, exchange them for new ones as described in this instruction manual. Observe the technical requirements.



WARNING! It requires to tip the product when perform the maintenance, therefore the fuel tank must be empty or fuel can leak out and result in a fire or explosion.



NOTE: Always empty the fuel tank and keep the spark plug upside down. Otherwise the fuel or engine oil will contaminate the air filter / spark plug and cause a difficult start of the engine.

7. Lubricate the cutting device (24) after each use to prolong the life span of cutting device and product. Apply light machine oil along the edge of the cutting device.

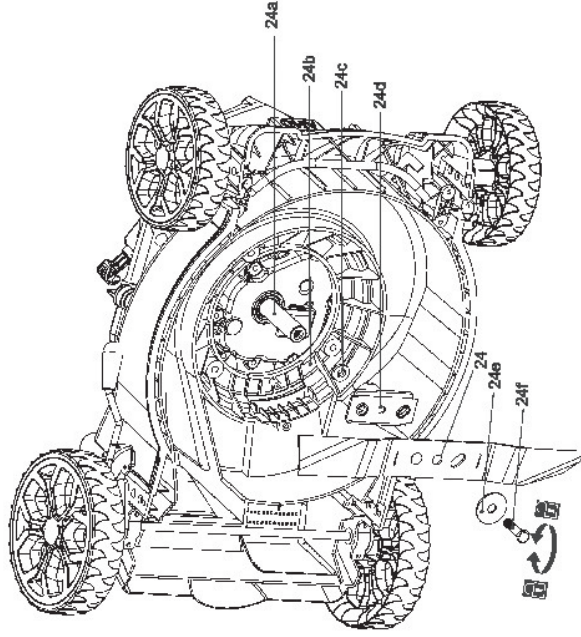


Fig. 16

Grass catcher

1. Inspect the grass catcher (21) before each use. Do not use it if you find any damage.
2. Clean the grass catcher (21) after operation using water and mild soap.
3. Let the grass catcher (21) dry thoroughly before storing to avoid mildew.

Brake wire

Check the performance of the brake wire (6) before each use. Ask a qualified specialist to adjust it if necessary.



WARNING! Do not use the product with defective or loose wire.

Air filter

Wash the air filter (10a) every 25 hours (in dusty conditions or when airborne debris is present, clean more often.) with clear water and dry it. Dip the air filter (10a) into clean machine oil if necessary. It can be used after superfluous oil is eliminated.

1. Inspect the air filter (10a) regularly. Replace it with a new one if necessary.
2. Press the latches (10c) downward to disengage and open the cover (10b) (Fig. 17).
3. Remove the air filter (10a) and tap it on a solid surface to remove dust.
4. Apply a small amount of air filter oil on the filter to increase the performance of the filter. Wring out surplus oil and put the air filter (10a) back into the air filter case (10).
5. Close the cover (10b) and ensure the latches (10c) engage properly.

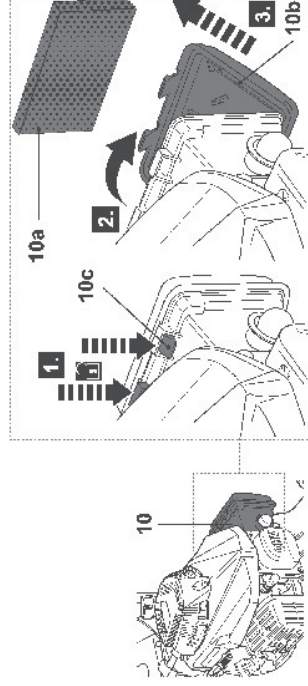


Fig. 17

Spark plug

Inspect the spark plug every 25 hours or prior to long-term storage over 180 days if the use has not been this high. Clean or replace with a new one if necessary.

1. Disconnect the spark plug connector (13).
2. Loosen the spark plug (13a) anti-clockwise using the multi tool (27) and remove it carefully (Fig. 18).

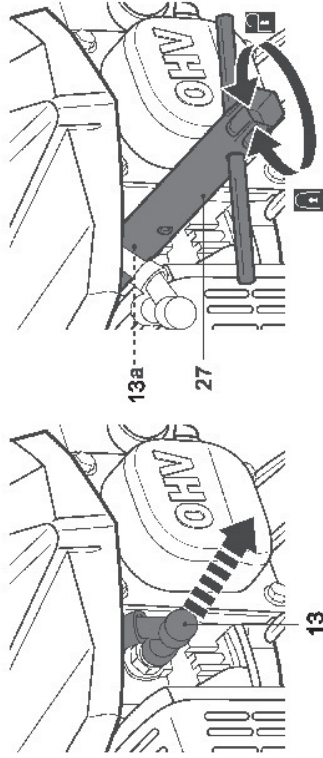


Fig. 18

3. Check the spark plug (13a) for damage and wear. The colour of the electrode should be light-brown coloured.
4. Remove debris from the electrode with a soft wired brush; avoid heavy cleaning of the electrode.
5. Dry the spark plug (13a) with a soft cloth, if it is wet from fuel.
6. Check the spark plug gap. It should be 0.7 – 0.8 mm (Fig. 19).
7. Replace with a new spark plug if either the electrode or the insulation is damaged.
8. When replacing the spark plug, first screw it in hand tight and then lightly tighten it with the multi tool (27).

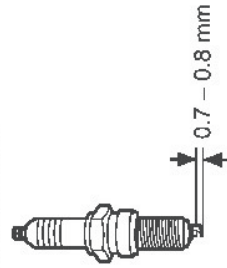


Fig. 19

WARNING! Do not over tighten the spark plug to avoid any damage!

Fuel

i NOTE: Petrol deteriorates over time. Engine starting may be difficult if you use petrol kept for more than 30 days. Do not reuse any fuel that has been removed. Always empty the fuel tank when storing over 30 days.

1. Empty the fuel tank when storing the product over 30 days to prevent the fuel deteriorating.
2. Place a suitable container under fuel drain screw (12) to collect drained fuel.
3. Unscrew the fuel drain screw and let the fuel run into the container (Fig. 20).

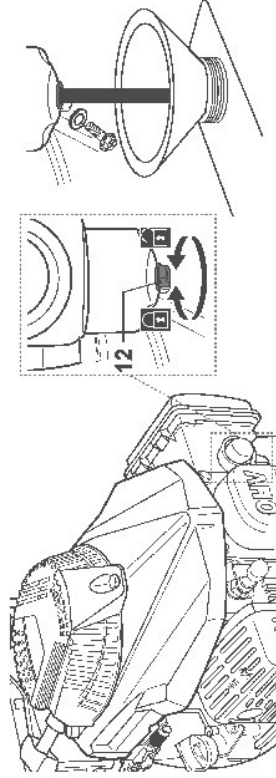


Fig. 20

4. Screw the fuel drain screw back in and tighten it.
5. Wipe spilled fuel up.
6. Before re-use, refill the fuel tank as described in the section "Fuel and engine oil – Fuel."

Engine oil

i NOTE: Check the oil level before each use to be sure correct oil level is maintained. Check the oil quality before each use. The engine oil must be changed if it is very sticky or contains dirt particles, or the engine oil has been used for over 50 hours.

Check oil level

1. Unscrew the oil tank cap (16).
2. Wipe the oil dipstick clean; refit and tighten the filler cap and then remove it again. The oil level must be between the "max" and "min" markings.
3. Refill if the oil level is too low.
4. Drain oil if the oil level is too high.

Care and maintenance

FPLMP99-3

- The oil should be clear and thick. If the oil is sticky or contains dirt particles the oil must be changed.

Change engine oil



WARNING! Before tilting the product for maintenance, the fuel tank must be empty or fuel can leak out and result in a fire or explosion!

- Place a suitable container under the oil drain screw (25) to collect drained oil. Ensure the container has an efficient volume.
- Loosen and remove the oil drain screw (25) to empty the oil into the oil collecting container (Fig. 21).
- Screw the oil drain screw back in and tighten it.
- Wipe spilled oil up.
- Refill the oil tank as described in section "Before you start - Fuel and engine oil – Engine oil".

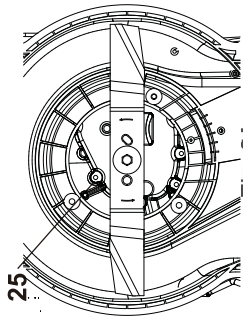


Fig. 21



NOTE: Alternatively use an oil pump to remove the engine oil. Insert the hose to the dipstick tube. Follow the instructions of the pump.

Carburettor

The carburettor is pre-set by the manufacturer. Should it be necessary to make any changes, please contact an authorised service centre or a similarly qualified specialist. Do not attempt to make any adjustments by yourself.

Muffler

If it be necessary to modify or replace the muffler, please contact an authorised service centre or a similarly qualified specialist.

Valve play

Have a qualified specialist check and adjust the valve play. Details for the specialist: **IN** = 0.13 – 0.17 mm, **EX** = 0.18 – 0.22 mm.

FPLMP99-3

Care and maintenance

Spare parts / Replacement parts

The following parts of this product may be replaced by the consumer. Spare parts are available at an authorised dealer or through our customer service.

Description	Model no. or Specification
Blade (24)	LEO LM40 -10012587
Spark plug (13a)	F7RTC / 0.7 – 0.8 mm

Repair

This product does not contain any parts that can be repaired by the consumer. Contact an authorised service centre or a similarly qualified person to have it checked and repaired.

Storage

- Switch the product off and disconnect the spark plug connector (13).
- Clean the product as described above.
- Store the product and its accessories in a dark, dry, frost-free, well-ventilated place.
- Always store the product in a place that is inaccessible to children. The ideal storage temperature is between 10 °C and 30 °C.
- We recommend using the original package for storage or covering the product with a suitable cloth or enclosure to protect it against dust.
- Empty the tank if you are not going to use the product for an extended period of time (more than 30 days) and before storing it for the winter.

Transportation

- Switch the product off and disconnect the spark plug connector.
- Adjust the height to the highest position as described above.
- Attach transportation guards, if applicable.
- Always transport the product by its handle (1).
- Protect the product from any heavy impact or strong vibrations which may occur during transportation in vehicles.
- Secure the product to prevent it from slipping or falling over.

Trouble shooting

FPLMP99-3

Trouble shooting

Suspected malfunctions are often due to causes that the users can fix themselves. Therefore check the product using this section. In most cases the problem can be solved quickly.



WARNING! Only perform the steps described within these instructions! All further inspection, maintenance and repair work must be performed by an authorised service centre or a similarly qualified specialist if you cannot solve the problem yourself!

Problem	Possible cause	Solution
1. Engine does not start	1.1. Not enough fuel in fuel tank	1.1. Add fuel
	1.2. Spark plug is wet	1.2. Dry spark plug
	1.3. Spark plug is damaged	1.3. Replace spark plug
	1.4. Spark plug connector loose	1.4. Attach properly
	1.5. Air filter is dirty	1.5. Clean air filter
	1.6. Spark plug loose	1.6. Tighten spark plug 17 – 19 N m
	1.7. Spark plug gap is incorrect	1.7. Set gap between electrodes at 0.7 to 0.8 mm
	1.8. Carburettor is flooded with fuel	1.8. Pull recoil starter handle continuously until carburettor clears itself
2. Engine stops	2.1. Not enough fuel in fuel tank	2.1. Add fuel
	2.2. Cutting device is blocked	2.2. Remove blockage
3. Engine difficult to start or loses power	3.1. Dirt, water or stale fuel in the tank	3.1. Drain fuel and clean tank. Fill tank with clean, fresh fuel
	3.2. Air filter is dirty	3.2. Clean air filter

FPLMP99-3

Trouble shooting

Problem	Possible cause	Solution
4. Engine operates erratically	4.1. Spark plug is defective	4.1. Install new, correctly gapped plug
	4.2. Spark plug gap is incorrect	4.2. Set gap between electrodes at 0.7 to 0.8 mm
5. Engine idles poorly	4.3. Air filter is dirty	4.3. Clean air filter
	5.1. Air filter is dirty	5.1. Clean air filter
	5.2. Air vents are clogged	5.2. Remove debris from vents
6. Engine skips at high speed	5.3. Cylinder fins are blocked	5.3. Remove debris from cylinder fins
	6.1. Gap between electrodes of spark plug is too close	6.1. Set gap between electrodes at 0.7 to 0.8 mm
	7.1. Air vents are clogged	7.1. Remove debris from vents
7. Engine overheats	7.2. Incorrect spark plug	7.2. Install correct spark plug
	8.1. Cutting device dull	8.1. Replace with a new cutting device
8. Unsatisfactory	8.2. Cutting material exceeds capacity	8.2. Only cut materials according to the capacity of the product
	8.3. Cutting height is incorrect	8.3. Adjust cutting height
	9.1. Cutting device is dull / damaged	9.1. Replace with a new cutting device
9. Excessive vibration / noise or exhaust	9.2. Bolts / nuts are loosen	9.2. Tighten bolts / nuts
	9.3. Petrol / oil is incorrect	9.3. Empty out unused petrol / oil and refill with the correct petrol / oil

Recycling and disposal

1. Old products are potentially recyclable and do not, therefore, belong in your household rubbish. You are requested to assist us and our contribution to saving resources and protecting the environment by handing in this product at an equipped collection centre (if there is one available).
2. Petrol, oil, used oil, a mixture of oil and petrol and objects soiled with oil e. g. cleaning cloths do not belong in the household rubbish. Dispose of oil-contaminated items in accordance with the local guidelines and hand them in at recycling centres.
3. The product comes in a package that protects it against damage during shipping. Keep the package until you are sure that all parts have been delivered and the product is functioning properly. Recycle the package afterwards.

Guarantee

This product carries a guarantee of 12 months starting from the day of purchase. Please retain your receipt as a proof.

- This guarantee specifically excludes losses due to:
- Normal wear and tear, including accessory wear
 - Overload, misuse or neglect
 - Failure of consumable items (such as batteries)
 - Repairs attempted by anyone other than an authorized agent
 - Accidental damage caused by foreign objects or substances
 - Lack of routine maintenance
 - Failure to follow manufacturer's guidelines
 - Loss of use of the goods

Due to continuous product improvement, we reserve the right to change the product specification without prior notice.

This guarantee does not affect your statutory rights.

For any inquiries relating to the guarantee please contact your retailer : If you purchased this product in B&Q store or website then call 0333 0143101. If you bought this product in SFX outlet or website then call 03330 112 112.

EC declaration of conformity



We
Kingfisher International Products Limited
3 Sheldon Square
London W2 6PX
United Kingdom

Declare that the product

99 cc 40 cm hand push lawnmower FPLMP99-3
 Serial number: from 000001 to 999999

Complies with the essential health and safety requirements of the following directives:

The Machinery Directive 2006/42/EC

- EN ISO 5395-1:2013
- EN ISO 5395-2:2013
- EN ISO 14982:2009

The EMC Directive 2014/30/EU

The Outdoor Noise Directive 2000/14/EC & 2005/88/EC

- Measured Sound Power Level: 93,16 dB(A)
- Guaranteed Sound Power Level: 96 dB(A)
- EN ISO 3744:2010 ; ISO 11094:1991
- Certificate registration number: SNCH*2000/14*2005/88*2727*02
- Test report No.: 15087440_003

• Conformity assessment procedures: Annex VI of the directive

• Notified body: 0499, Société Nationale de Certification et d'Homologation S.À.R.L. (SNCH); 2a Kalchesbruck, L-1852 LUXEMBOURG, Luxembourg

The Emission of Pollutants directive 97/68/EC, as last amended by directive 2012/46/EU

- EC type-approval No.: e11*97/68SA*2012/46*3206*00
- Engine model: GP99

Authorized Signatory and technical file holder:

Kingfisher International Products Limited
 3 Sheldon Square
 London W2 6PX
 United Kingdom
 Jean-Christophe Ferrer
 Director of Group Quality
 on:17/11/2016